

**\*\* Note:**

For X & Y provide the minimum lengths of straight pipe as per manufacturer's recommendations for each Flow Meter Fitting

\* Contractor shall coordinate pipe connections w/ ATC Contractor

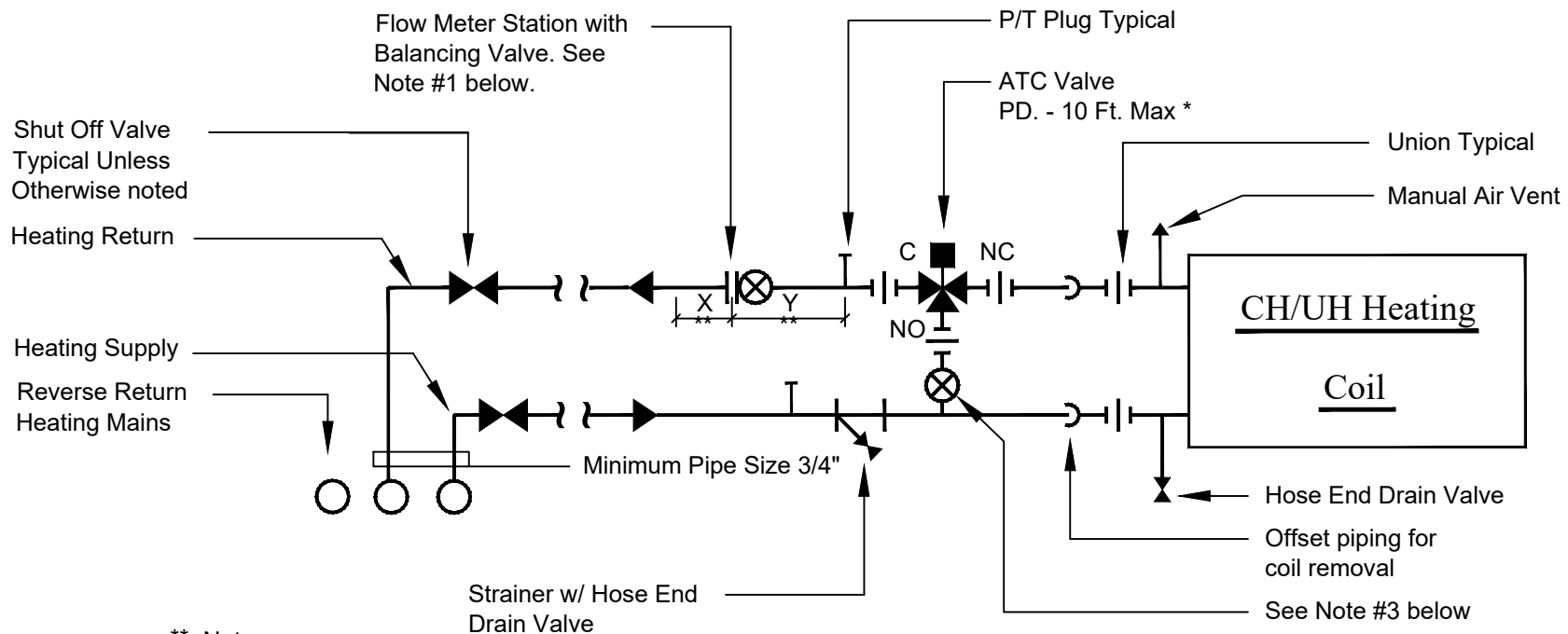
Cabinet Heater & Unit Heater

**Typical Heating Coil - 2 Way Control Valve**

No Scale

**Notes :**

1. When the Strainer Elevation is lower than the Coil the Hose End Drain Valve at the coil csan be deleted.
2. See Valve and Fitting Installation Detail for Additional Requirements



**\*\* Note:**

For X & Y provide the minimum lengths of straight pipe as per manufacturer's recommendations for each Flow Meter Fitting

\* Contractor shall coordinate pipe connections w/ ATC Contractor

Cabinet Heater & Unit Heater

**Typical Heating Coil - 3 Way Control Valve**

No Scale

**Notes :**

1. When the Strainer Elevation is lower than the Coil the Hose End Drain Valve at the coil csan be deleted.
2. See Valve and Fitting Installation Detail for Additional Requirements
3. Use Valve as a Balancing Valve with a Memory Stop.